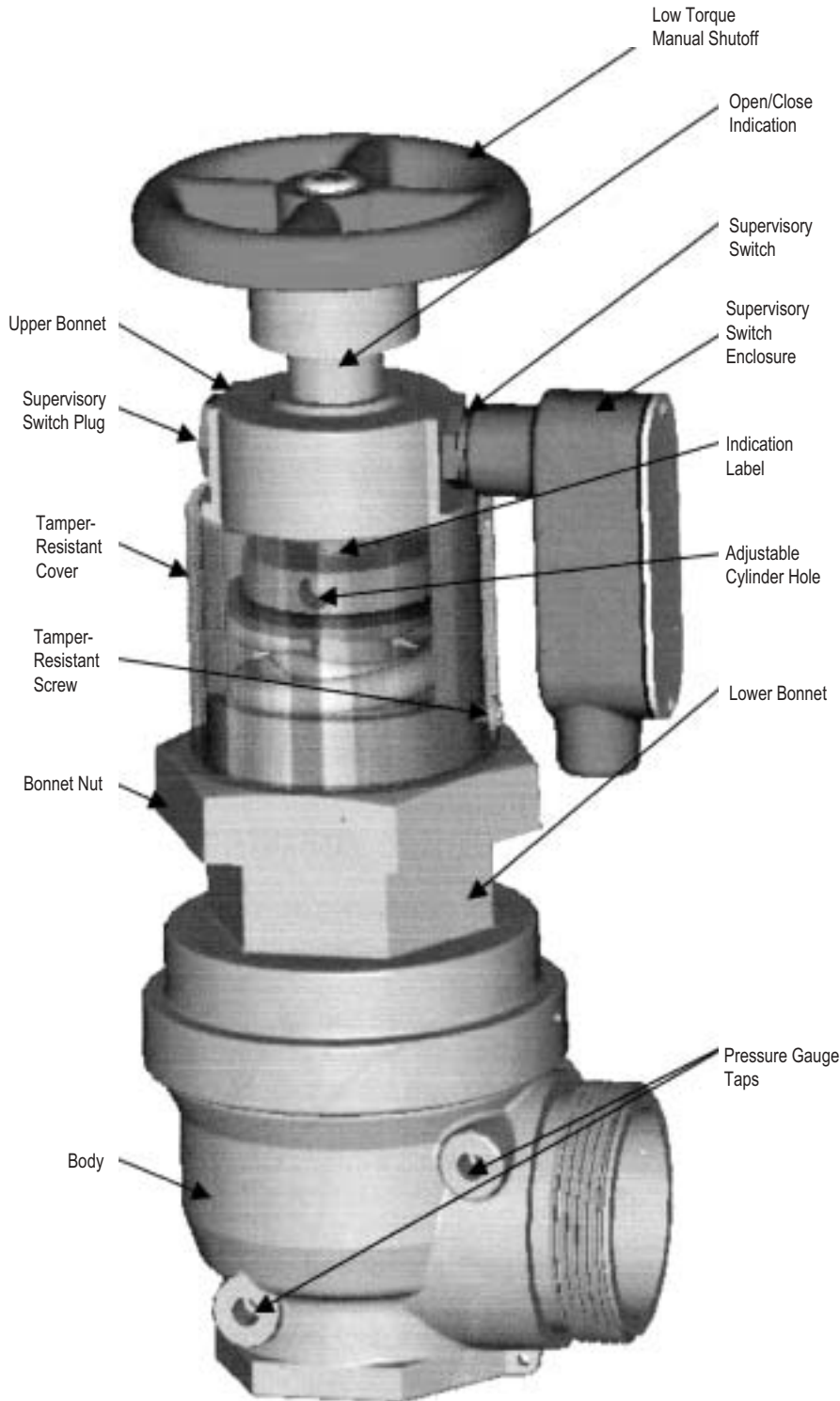


## "PRESSUR-EZE" FIELD ADJUSTABLE AUTOMATIC PRESSURE REGULATING VALVES



Underwriters Laboratory Listed

Pressure rated up to 400 psi

Flow rated up to 500 GPM

Low-torque manual close/open hand wheel

Low torque field adjustable

Integral Supervisory switch (Optional)

Open-Close indication from 2 view directions

Pressure reduction adjustment easily determined by indication label

Built-in automatic check valve

Regulates pressure under flow and no flow conditions

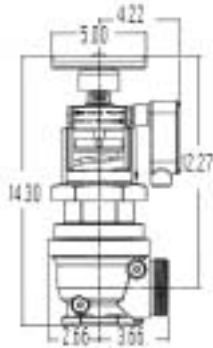
Tapped for pressure gauge on both inlet and outlet side of valve

Enhanced Tamper proof protection

Tamper resistant protective shroud

Special threads available

Available grooved by grooved

**"PRESSURE - EZE" AUTOMATIC PRESSURE REGULATING VALVES****2 1/2" FEMALE X MALE  
ANGLE TYPE**

400LB. Field adjustable pressure regulating valve for use as a hose outlet valve where inlet pressures require regulation. Tamper resistant protective shroud. Both sides drilled and tapped 1/4" NPT.

**STANDARD EQUIPMENT:** Cast Brass valve with Female NPT inlet X Male Hose thread outlet. Visual indicator. Red wheel handle.

**OPTIONAL FINISHES:**

- PB-Polished Brass
- RC- Rough Chrome Plated
- PC- Polished Chrome Plated

**5410** 2 1/2" X 2 1/2" Angle -Fe NPT X Ma hose thread

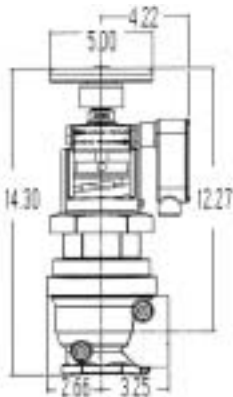
**Suffix SS:** built-in supervisory switch (factory installed)

**SPECIFY  
THREAD**



Figure No. 5410

**U/L LISTED**

**"PRESSURE - EZE" AUTOMATIC PRESSURE REGULATING VALVES****2 1/2" FEMALE X FEMALE  
2 1/2" GROOVED X GROOVED  
ANGLE TYPE**

400 LB. Field adjustable automatic pressure regulating valve for use as a fire hose rack assembly valve or sprinkler control valve where pressures require regulation. Tamper resistant protective shroud. Both sides drilled and tapped 1/4" NPT.

**STANDARD EQUIPMENT:** Cast Brass valve with Female NPT inlet X Female thread outlet. Visual indicator. Red wheel handle.

**OPTIONAL FINISHES:**

- PB-Polished Brass
- RC- Rough Chrome Plated
- PC- Polished Chrome Plated

**Fig No.**

**5420** 2 1/2" X 2 1/2" Angle - Fe NPT X Fe NPT

**5427** 2 1/2" X 2 1/2" Angle Grooved x Grooved

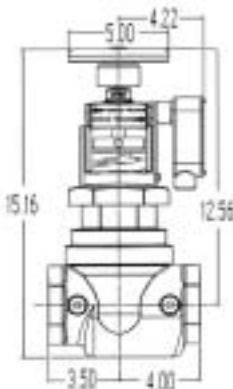
**5428** 2 1/2" X 2 1/2" Angle w/ capped bonnet

**Suffix SS:** built-in supervisory switch (factory installed)



Figure No. 5420

**U/L LISTED**

**"PRESSURE - EZE" AUTOMATIC PRESSURE REGULATING VALVES****2 1/2" FEMALE X FEMALE  
2 1/2" GROOVED X GROOVED  
INLINE TYPE**

400LB. Field adjustable pressure regulating valve for use as a fire hose rack assembly valve or sprinkler control valve where pressure require regulation. Tampered resistant protective shroud. Both sides drilled and tapped 1/4" NPT.

**STANDARD EQUIPMENT:** Cast Brass valve with Female NPT inlet and Female NPT outlet. Visual indicator. Red wheel handle.

**OPTIONAL FINISHES:**

- PB-Polished Brass
- RC- Rough Chrome Plated
- PC- Polished Chrome Plated

**Fig No.**

**5430** 2 1/2" X 2 1/2" Inline - Fe NPT X Fe NPT

**5437** 2 1/2" X 2 1/2" Grooved X Grooved

**5438** 2 1/2" X 2 1/2" Inline with capped bonnet

**Suffix SS:** built-in supervisory switch (factory installed)



Figure No. 5430

**Note:** Add 2 1/2" for  
G X G takeout

**U/L LISTED**

## PRESSURE REGULATING "EZE" 1 1/2" ANGLE VALVE U/L LISTED

300lb. Non-adjustable automatic pressure regulating valve for use as a hose outlet valve or fire hose rack valve where inlet pressures require regulation. Figure No. 5555 may also be used as a zone control valve on a sprinkler system for flows up to 250 GPM.

**STANDARD EQUIPMENT:** Cast Brass valve with Female NPT inlet X Male hose thread outlet or female NPT outlet. Aluminum handwheel.

**OPTIONAL FINISHES:**

- PB- Polished Brass
- RC- Rough Chrome Plated
- PC- Polished Chrome Plated
- VN- Visual Indicator
- SB- Switch Bracket

**SPECIFY  
THREAD**

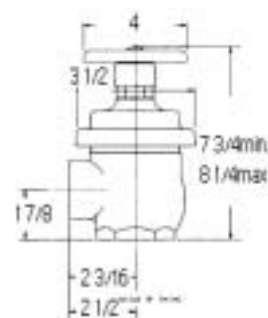
**Figure No. 5450** -Double Female NPT

**Figure No. 5455** -Double Female NPT with Visual Indicator and Switch Bracket

**Figure No. 5460** -Female NPT inlet X Male Hose thread outlet.



**Figure No. 5455**



## PRESSURE REGULATING "EZE" 2 1/2" ANGLE VALVE U/L LISTED

400lb. Non-adjustable automatic pressure regulating valve for use as a hose outlet valve for hose rack valve or sprinkler control where inlet pressures required regulation.

**STANDARD EQUIPMENT:** Cast Brass valve with Female NPT inlet X Male hose thread outlet or female NPT outlet. Aluminum handwheel. Available grooved inlet and grooved outlet.

**OPTIONAL FINISHES:**

- PB- Polished Brass
- RC- Rough Chrome Plated
- PC- Polished Chrome Plated
- VN- Visual Indicator
- SB- Switch Bracket

**SPECIFY  
THREAD**

**Figure No. 5470** - Double Female NPT

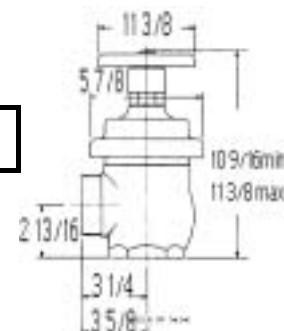
**Figure No. 5475** - Double Female NPT with Visual Indicator and Switch Bracket

**Figure No. 5477** - Grooved X Grooved with Visual Indicator and Switch bracket.

**Figure No. 5480** - Female NPT inlet X Male hose thread outlet.



**Figure No. 5475**

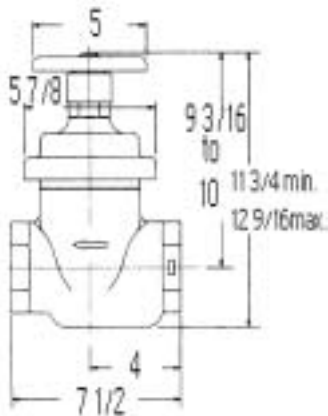


## NON-ADJUSTABLE/FACTORY SET IN-LINE AUTOMATIC "EZE" PRESSURE REGULATING VALVES



Figure No. 5495

**U/L  
LISTED**



**Note:** Add 2 1/2" for  
G X G takeout

**Figure No. 5490-** Double Female NPT

**Figure No. 5495-** Double Female NPT with Visual Indicator and Switch Bracket

**Figure No. 5497-** Grooved X Grooved with Visual Indicator and Switch Bracket.

### 2 1/2" IN LINE VALVE:

**Underwriters Laboratory Listed at 400 PSI**

**Underwriters Laboratory Listed as a Checking Device**

Regulates pressure under flow (residual) no flow (static) conditions.

For use with automatic sprinkler systems.

Available with switch bracket for mounting supervisory switch.

Furnished standard with visual indicator for on-off inspection.

Will reduce inlet pressure of 400 PSI. or less to desired outlet pressure of 20 PSI or more.

### SETTING INFORMATION REQUIRED: AUTOMATIC SPRINKLER SYSTEMS GPM, STATIC AND RESIDUAL INLET AND OUTLET

### STANDARD EQUIPMENT:

Cast brass valve with female NPT inlet X female NPT outlet. Aluminum handwheel. Available grooved inlet X grooved outlet.

### OPTIONAL:

PB- Polished Brass  
RC- Rough Chrome Plated  
PC- Polished Chrome Plated