

FLUSH TYPE

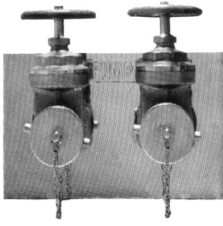


Figure No. 6802

Provides means to test fire pump flow rate. Number of outlets contingent upon rated G.P.M. of fire pump. Each individual outlet capable of 250 G.P.M. minimum discharge and controlled by a gate valve.

STANDARD EQUIPMENT: Cast brass end inlet body, size and number of outlets as selected by figure number; brass plate; with 3" Female NPT inlet and 2 1/2" Male Hose Thread outlet cast brass gate valve and cap with chain. Valves to be permanently installed. **SPECIFY THREAD AND FINISH. 6806, 6807 and 6808 bodies are U/L listed.**

BRANDING: " FIRE PUMP TEST"

OPTIONAL FINISHES:

- PB - Polished Brass
- RC - Rough Chrome Plated
- PC - Polished Chrome Plated

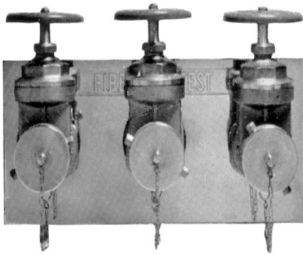


Figure No. 6806

Figure No.	Pump GPM	Pipe Size	No. of Outlets	A	B	C	D
*6802	500	4"	2	15 1/4	5 1/4	6	15
6806	750	6"	3	22 1/2	7 5/8	7 5/8	19.875
6807	1000	6"	4	28 3/4	7 5/8	7 5/8	30
6808	2000	8"	6	43	7 5/8	9 9/16	44

*6802 unit is furnished with a steel body.

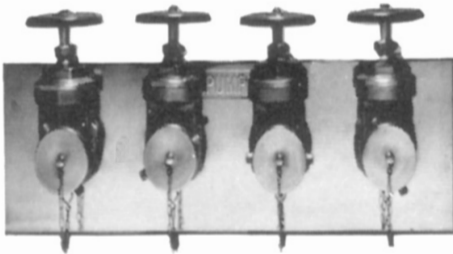


Figure No. 6807

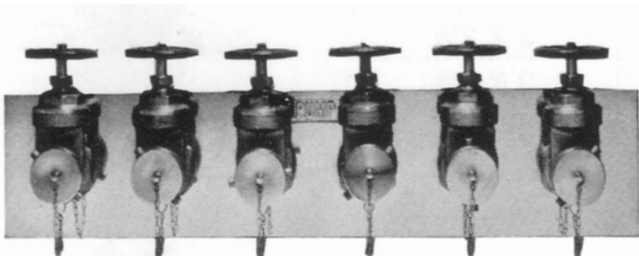
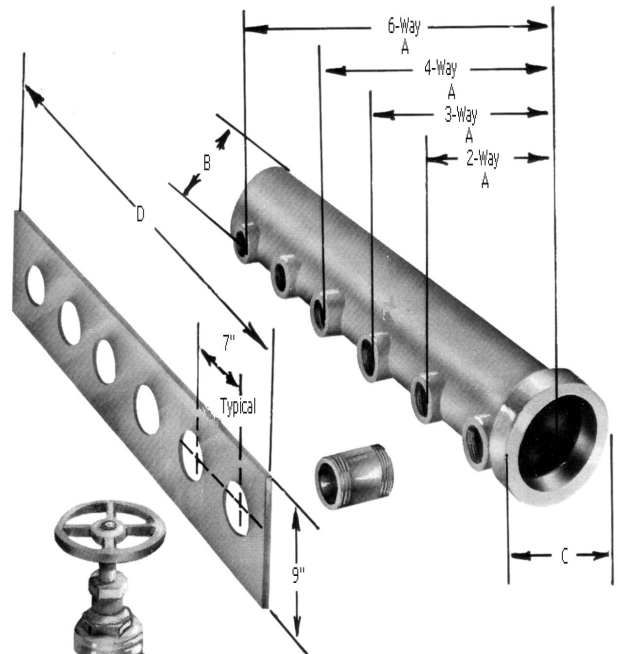


Figure No. 6808