

**PRESSURE RESTRICTING ANGLE VALVE 175LB. RATED
FIELD ADJUSTABLE**



Figure No.
5050-5055

Adjustable restriction of pressures up to 175 lbs. When valve is opened against link and additional pressure is required, link can be broken and the valve opened completely.

**Fire Department Valves
FEMALE X MALE**

STANDARD EQUIPMENT: Female NPT inlet X Male Hose thread outlet cast brass valve with wheel handle.



Figure No.
5060-5062

**Fire Hose Rack Assembly Valves
DOUBLE FEMALE**

STANDARD EQUIPMENT: Female NPT inlet and outlet cast brass valve with wheel handle.

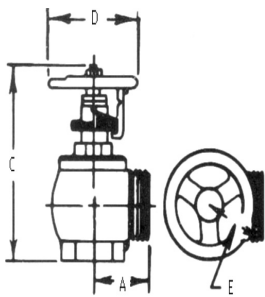
**SPECIFY
THREAD**

OPTIONAL FINISHES:

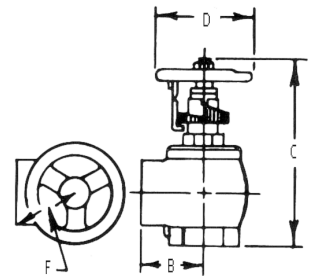
- PB - Polished Brass
- RC - Rough Chrome Plated
- PC - Polished Chrome Plated

U/L LISTED

NY BSA/MEA APPROVED



	Female X Male		Female X Female	
Figure No.	5050	5055	5060	5062
Size	1 1/2"	2 1/2"	1 1/2"	2 1/2"
A	2 7/32	3 7/32	N/A	N/A
B	N/A	N/A	2 11/64	3 3/16
C-Closed	6 13/16	9 1/2	6 13/16	9 17/32
C-Open	7 27/32	11 3/8	7 27/32	11 3/8
D	3 3/4	5	3 3/4	5
E	2 7/16	3 19/32	N/A	N/A
F	N/A	N/A	2 13/32	3 17/32



**PRESSURE RESTRICTING ANGLE VALVE 175LB. RATED
FIELD ADJUSTABLE**



Figure No.
5064-5066

Adjustable restriction of pressures up to 175 lbs. Locking pin device restricts full opening of valve by untrained personnel, pin may be removed by firefighters to allow full open valve.

**Fire Department Valves
FEMALE X MALE**

STANDARD EQUIPMENT: Female NPT inlet X Male Hose thread outlet cast brass valve with wheel handle.



Figure No.
5068-5070

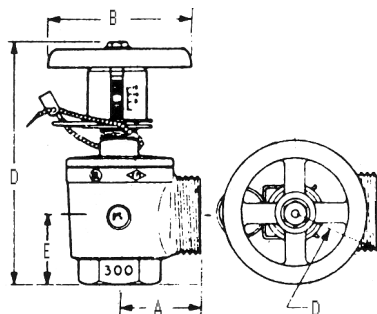
**Fire Hose Rack Assembly Valves
DOUBLE FEMALE**

STANDARD EQUIPMENT: Female NPT inlet and outlet cast brass valve with wheel handle.

**SPECIFY
THREAD**

OPTIONAL FINISHES:

- PB - Polished Brass
 - RC - Rough Chrome Plated
 - PC - Polished Chrome Plated
- U/L LISTED**



	5064	5066
Figure No.	5068	5070
Size	1 1/2"	2 1/2"
A	2 9/64	3 5/16
B	2 17/64	3
C-Closed	6 1/2	8 3/4
C-Open	7 3/32	9 31/32
D	4 1/64	5 1/8
E	2 3/8	3 11/16

