

**ANGLE VALVES - 500 LB. RATED**

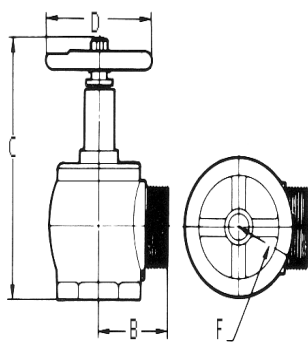
Fire Dept. Valves

**FEMALE X MALE**

**STANDARD EQUIPMENT:** Female NPT inlet X Male hose thread outlet cast brass valve with wheel handle.



Figure No. 5760



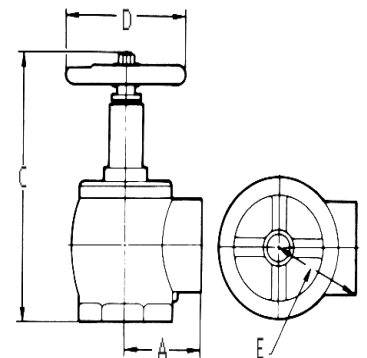
Fire Hose Rack Assembly Valves

**DOUBLE FEMALE**

**STANDARD EQUIPMENT:** Female NPT inlet and outlet cast brass valve with wheel handle.



Figure No. 5765



**SPECIFY  
THREAD**

**OPTIONAL FINISHES:**

- PB-- Polished brass
- RC-- Rough Chrome Plated
- PC-- Polished Chrome Plated

**NY BSA-MEA Approved.**

| Figure No.   | 5760    | 5765    |
|--------------|---------|---------|
| Size         | 2 1/2"  | 2 1/2"  |
| A            | 3 3/16" | 3 3/16" |
| B            | 3 3/16" | 3 3/16" |
| C-Closed     | 9 1/4"  | 9 1/4"  |
| C-Open       | 11"     | 11"     |
| D            | 5"      | 5"      |
| E            | 3 9/16" | 3 9/16" |
| F            | 3 9/16" | 3 9/16" |
|              | Yes     | Yes     |
| NYC Approved | Yes     | Yes     |