

## ANGLE VALVES - 500 LB. RATED

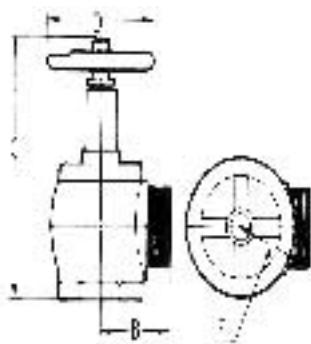
### Fire Dept. Valves

#### FEMALE X MALE

**STANDARD EQUIPMENT:** Female NPT inlet X Male hose thread outlet cast brass valve with wheel handle.



Figure No. 5760



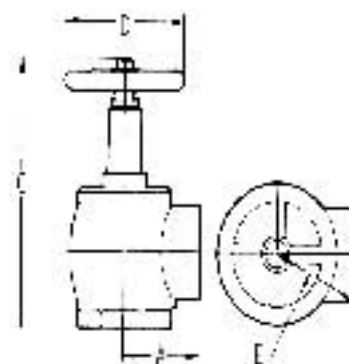
### Fire Hose Rack Assembly Valves

#### DOUBLE FEMALE

**STANDARD EQUIPMENT:** Female NPT inlet and outlet cast brass valve with wheel handle.



Figure No. 5765



**SPECIFY  
THREAD**

#### OPTIONAL FINISHES:

- PB-- Polished brass
- RC-- Rough Chrome Plated
- PC-- Polished Chrome Plated

NY BSA-MEA Approved. FM Approved.

Figure No.	5760	5765
Size	2 1/2"	2 1/2"
A	3 3/16"	3 3/16"
B	3 3/16"	3 3/16"
C-Closed	9 1/4"	9 1/4"
C-Open	11"	11"
D	5"	5"
E	3 9/16"	3 9/16"
F	3 9/16"	3 9/16"
FM Approved	Yes	Yes
NYC Approved	Yes	Yes