

### SECURITY ACCESS PANELS

**CSP and HDSP** series Security Panels enables architects and institutions to bring maximum security to areas where access is required for repair or maintenance purposes. Most detection and health care facilities require access to plumbing areas and electrical areas behind walls.

#### STANDARD EQUIPMENT for CSP:

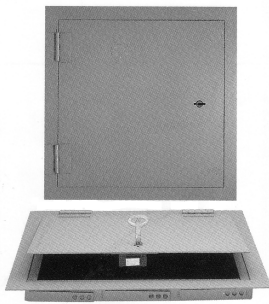
- \* 10 gauge steel door
- \* Heavy duty detention rings welded to frame & door
- \* HD steel masonry anchors welded to frame

#### STANDARD EQUIPMENT for HDSP:

- \* Heavy 3/16" steel plate door
- \* Box formed on four sides
- \* Frame consists of 2" X 3" X 3/16" steel angle
- \* Heavy Duty detention butt hinges

#### OPTIONS:

- \* **SAP-SS** Stainless steel # 4 finish
- \* Baked enamel finish
- \* Galvanized Coating
- \* Lock Options: Mortoise prep, Detention lock installed  
Detention lock prep
- \* **HGFD-** Extra heavy duty gauge-- 14 gauge Door & Frame



**CPS Access Panels**



**HPSP Access Panels**

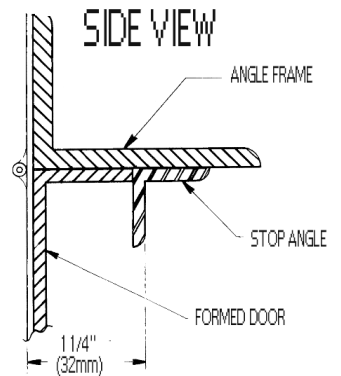
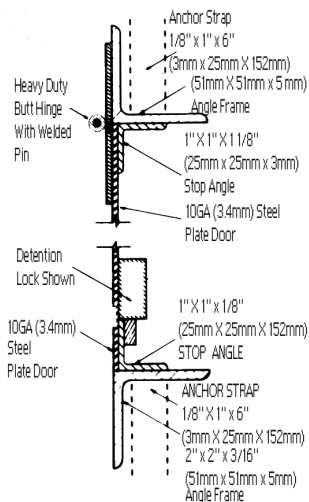


FIGURE NO.	DOOR SIZE W H	OUTSIDE FRAME DIM		WALL OPENING REQUIRED		Shipping Weight	
		WIDTH	HEIGHT	WIDTH	HEIGHT	CPS	HDSP
1939	8X8	12	12	8 3/4	8 3/4	16	17
1940	10X10	14	14	10 3/4	10 3/4	20	22
1941	12X12	16	16	12 3/4	12 3/4	24	26
1942	14X14	18	18	14 3/4	14 3/4	29	32
1943	16X16	20	20	16 3/4	16 3/4	32	37
1944	18X18	22	22	18 3/4	18 3/4	38	43
1945	24X24	28	28	24 3/4	24 3/4	52	64
1946	24X36	28	40	24 3/4	36 3/4	72	87
1947	24X48	28	52	24 3/4	48 3/4	90	110

**SPECIAL SIZES AND FABRICATIONS AVAILABLE UPON REQUEST**