

For Use With Fire Extinguisher

Series 1600 and 1610 cabinets will accommodate a single portable Fire Extinguisher



Series 1600

STANDARD EQUIPMENT

- * Heavy gauge steel construction tub, door and trim- white
- * White powder coat finish
- * Continuous steel piano hinge
- * Pull handle with roller catch

CABINET OPTIONS

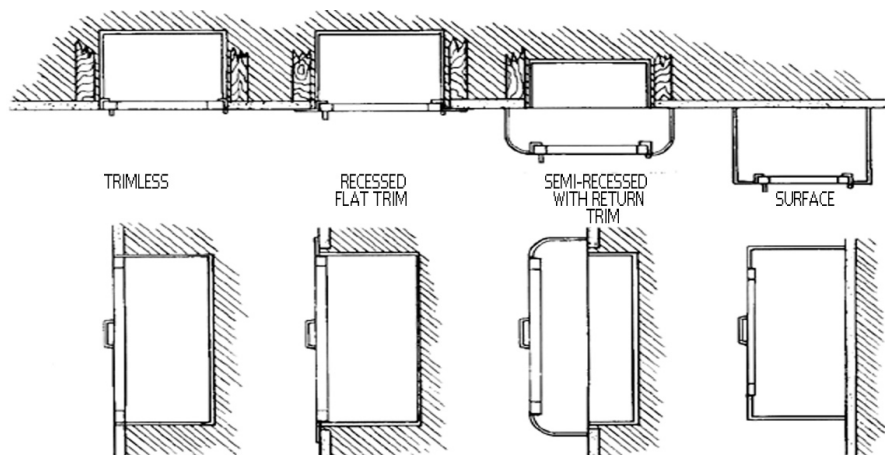
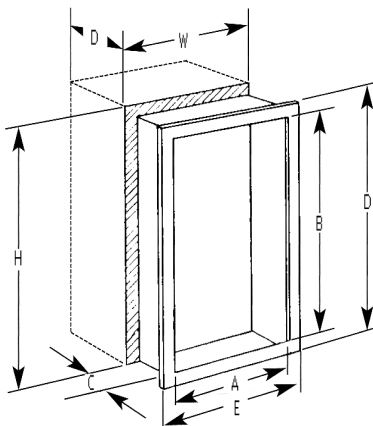
- * Prefix **FR** for Fire Rated Cabinet
- * Suffix **AL** for clear anodized aluminum door and frame
- * Suffix **SS** for Stainless Steel # 4 finish door and frame
- * Suffix **FF** for Detention Grade Heavy Steel Door And Trim
- * Door Styles See page 2-5
- * Other cabinet options See page 2-7, 2-19 and 2-20

ORDERING PROCEDURE

- * Select cabinet Figure No.
- * Select door style
- * Select Fire Extinguisher (Refer to 4000 Series)
- * Select cabinet options

Fig. No.	Trim Style	Trim Pro. Tp	Overall Inside box dimensions			Outside dim.		Wall Opening Required			FIRE RATED CABINETS Wall Opening Required FR Option			Extinguisher Capacity
			A	B	C	D	E	Width	Height	Depth	Width	Height	Depth	
1600	Recessed	3/8"	9	18	5 1/2	12 3/8	21 3/8	10	19	5 1/2	11	20 1/8	6 3/8	2 1/2 LB. , 5LB. ABC DRY CEMICAL FIRE EXT. 2 1/2LB., 5 1/2 LB. BC FIRE EXT.
1601	Semi-recessed	1 1/2"	9	18	5 1/2	12 3/8	21 3/8	10	19	4	11	20 1/8	4 7/8	
1602	Trimless	2 1/2"	9	18	5 1/2	12 3/8	21 3/8	10	19	3 1/8	11	20 1/8	4	
1606	Surface		9	18	5 1/2	9 1/4	18 1/4	9 1/2	18 1/2	5 3/4				2 1/2 LB. , 5LB. HALOTRON EXT.
1608	Surface		12 3/16	21 3/16	6	12 3/8	21 3/8							
1610	Recessed	3/8"	10 1/2	24	6	13 7/8	27 3/8	11 1/2	25	6	12 1/2	26 1/8	6 7/8	2 1/2 LB. , 5LB., 10LB. ABC DRY CHEMICAL FIRE EXT. 2 1/2LB., 5 1/2 LB., 10LB. BC FIRE EXT.
1611	Semi-recessed	1 1/2"	10 1/2	24	6	13 7/8	27 3/8	11 1/2	25	4 1/2	12 1/2	26 1/8	5 3/8	
1613	Trimless	3"	10 1/2	24	6	13 7/8	27 3/8	11 1/2	25	3 1/8	12 1/2	26 1/8	4	
1614	Semi-recessed	4"	10 1/2	24	6	13 7/8	27 3/8	11 1/2	25	2 1/8	12 1/2	26 1/8	3	5LB. CARBON DIOXIDE 2 1/2 LB. , 5LB. HALOTRON EXT.
1615	Trimless	4 1/2"	10 1/2	24	6	13 7/8	27 3/8	11 1/2	25	1 5/8	12 1/2	26 1/8	2 1/2	
1616	Surface		10 1/2	24	6	10 3/4	24 1/4	11	24 1/2	6 1/4				
1618	Surface		13 11/16	27 3/16	6 1/2	13 7/8	27 3/8							

Note: Add 5/8" to depth of wall opening required for cabinets with aluminum frame



For Use With Fire Extinguisher



1620 Series

Series 1620 and 1630 cabinets will accommodate a single portable Fire Extinguisher. Series 1640 will accommodate two portable Fire Extinguishers.

STANDARD EQUIPMENT

- * Heavy gauge steel construction tub, door and trim
- * White powder coat finish
- * Continuous steel piano hinge
- * Pull handle with roller catch

CABINET OPTIONS

- * Prefix **FR** for Fire Rated Cabinet
- * Suffix **AL** for clear anodized aluminum door and frame
- * Suffix **SS** for Stainless Steel # 4 finish door and frame
- * Suffix **FF** for Detention Grade Heavy Steel Door And Trim
- * Door Styles See page 2-5
- * Other cabinet options See page 2-7, 2-19 and 2-20

ORDERING PROCEDURE

- * Select cabinet Figure #
- * Select door style
- * Select Fire Extinguisher (Refer to 4000 Series)
- * Select cabinet options

Fig. No.	Trim Style	Trim Pro. Tp	Overall Inside box dimensions			Outside dim.		Wall Opening Required			FIRE RATED CABINETS Wall Opening Required FR Option			Extinguisher Capacity
			A	B	C	D	E	Width	Height	Depth	Width	Height	Depth	
1620	Recessed	3/8"	12	27	7 3/4	15 3/8	30 3/8	13	28	7 7/8	14	29 1/8	8 1/2	2 1/2,5,10,20lb. ABC Dry Chem.
1621	Semi-recessed	1 1/4"	12	27	7 3/4	15 3/8	30 3/8	13	28	6 3/4	14	29 1/8	7 3/8	2,2 1/2, 5 1/2,10 lb. BC 2 1/2 gal. W.P. 5,10,lb. CO2
1622		2 1/2"	12	27	7 3/4	15 3/8	30 3/8	13	28	5 1/2	14	29 1/8	6 3/8	
1624		4"	12	27	7 3/4	15 3/8	30 3/8	13	28	4	14	29 1/8	4 5/8	
1626	Trimless		12	27	7 3/4	12 1/4	27 1/4	12 1/2	27 1/2	8				5,10,lb. CO2
1628	Surface		15 3/16	30 3/16	8 1/4	15 3/8	30 3/8							2 1/2,5,11,15lb. Halotron
1630	Recessed	3/8"	16	32	7 3/4	19 3/8	35 3/8	17	33	7 7/8	18	34 1/8	8 1/2	2 1/2,5,10,20lb. ABC Dry Chem.
1631	Semi-recessed	1 1/4"	16	32	7 3/4	19 3/8	35 3/8	17	33	6 3/4	18	34 1/8	7 3/8	2,2 1/2, 5 1/2,10 lb. BC 2 1/2 gal. W.P. 5,10,15lb. CO2
1632		2 1/2"	16	32	7 3/4	19 3/8	35 3/8	17	33	5 1/2	18	34 1/8	6 3/8	
1634		4"	16	32	7 3/4	19 3/8	35 3/8	17	33	4	18	34 1/8	4 5/8	
1635	recessed	4 1/2"	16	32	7 3/4	19 3/8	35 3/8	17	33	3 1/2	18	34 1/8	4 1/8	5,10,15lb. CO2
1638	Surface		19 3/16	35 3/16	8 1/4	19 3/8	35 3/8							2 1/2,5,11,15lb. Halotron
1640	Recessed	5/16"	20	27	7 3/4	23 3/8	30 3/8	21	28	7 7/8	22	29 1/8	8 1/2	Two-Any Combination
1641	Semi-recessed	1 1/4"	20	27	7 3/4	23 3/8	30 3/8	21	28	6 3/4	22	29 1/8	7 3/8	2 1/2,5,10,20lb. ABC Dry Chem.
1642		2 1/2"	20	27	7 3/4	23 3/8	30 3/8	21	28	5 1/2	22	29 1/8	6 3/8	
1644	Semi-recessed	4"	20	27	7 3/4	23 3/8	30 3/8	21	28	4	22	29 1/8	4 5/8	2 1/2 gal. W.P.
1645	recessed	4 1/2"	20	27	7 3/4	23 3/8	30 3/8	21	28	3 1/2	22	29 1/8	4 1/8	5,10,lb. CO2
1648	Surface		23 3/16	30 3/16	8 1/4	23 3/8	30 3/8							

Note: Add 5/8" to depth of wall opening required for cabinets with aluminum frame

